

## Power Choke Coil

Series: **PCC-D125H (NX2)**

Low profile, High power, Low loss



### ■ Features

- High power, high inductance (No saturation performance limitation due to metal dust core)  
(17 A to 50 A/2.12  $\mu$ H to 0.24  $\mu$ H)
- Low loss due to low  $R_{DC}$  (using flat wire)
- Low buzz noise due to its gap-less structure
- Surface mount, low profile  
(H) 4.9 mm×(L)13.0 mm×(W)12.9 mm

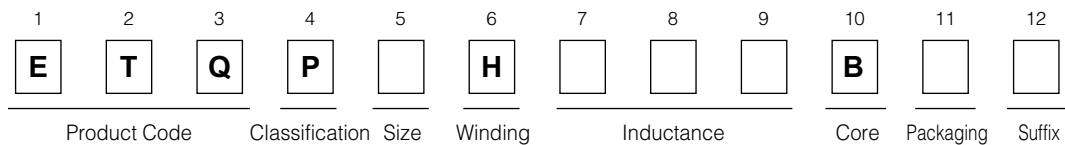
### ■ Recommended Applications

- DC-DC converter for CPU in PCs
- Thin on-board power supply modules for servers

### ■ Standard Packing Quantity

- 500 pcs./Reel

### ■ Explanation of Part Numbers



### ■ Standard Parts

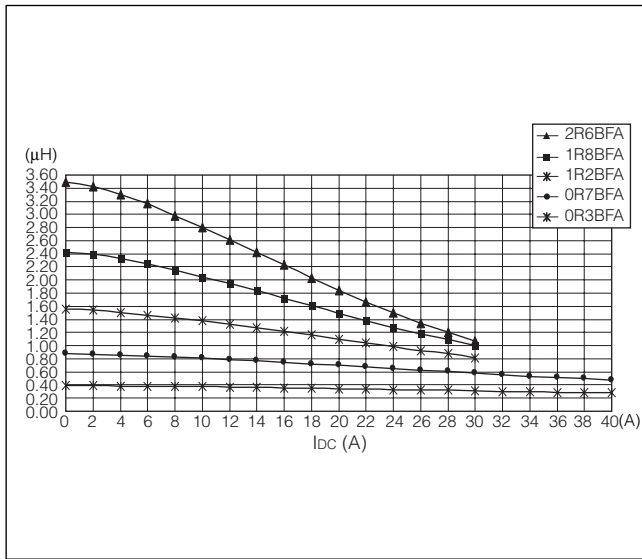
Part No.	Inductance (at 20 °C)*1					Rated current (A)*2	DC resistance (at 20 °C) (m $\Omega$ ) max.
	L1			L2 (Reference)			
	( $\mu$ H)	Tolerance (%)	Measurement current (A)	( $\mu$ H)	Measurement current (A)		
ETQP2H0R3BFA	0.29	±20	36	0.24	50	36	0.54
ETQP2H0R7BFA	0.69		21	0.59	29	21	1.30
ETQP2H1R2BFA	1.22		16	1.04	22	16	2.27
ETQP2H1R8BFA	1.83		14	1.49	20	14	3.48
ETQP2H2R6BFA	2.61		12	2.12	17	12	4.98

(\*1) Inductance is measured at 100 kHz.

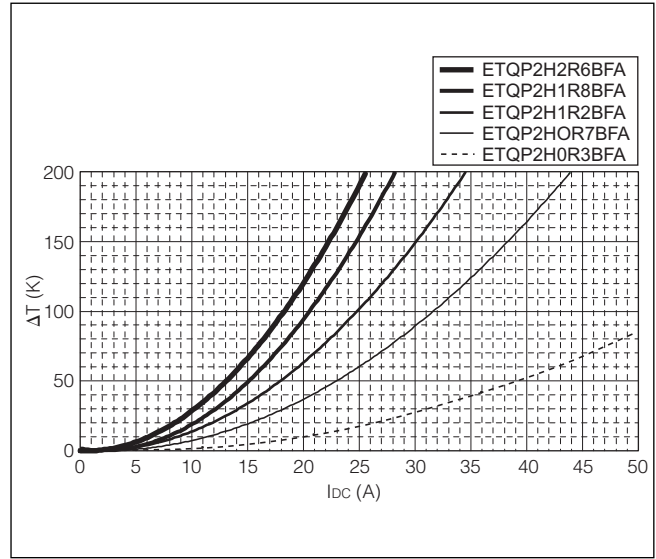
(\*2) Rated current defines actual value of DC current, when temperature rise of coil becomes 40 K.

## Performance Characteristics (Reference)

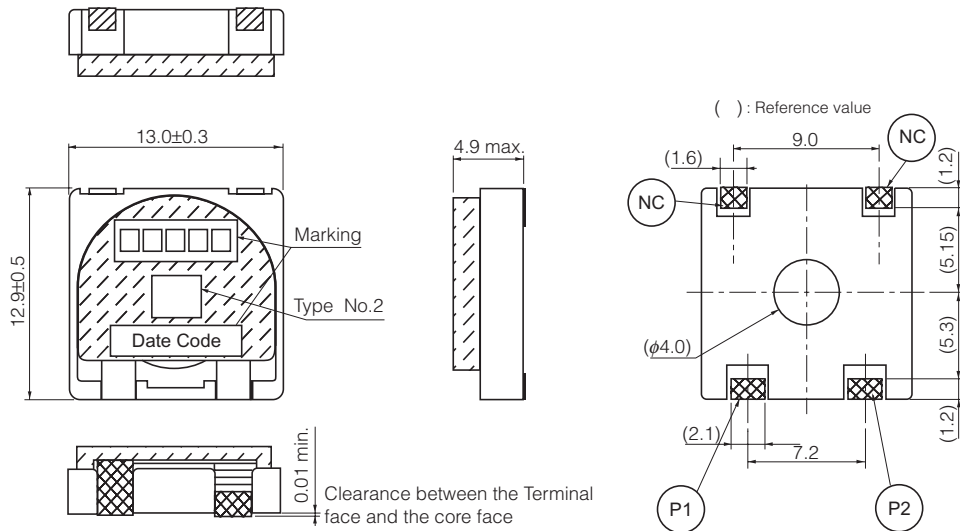
### Inductance vs DC Current



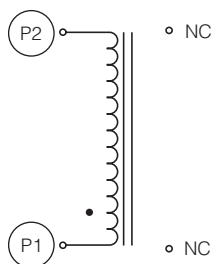
### Case temperature vs DC Current



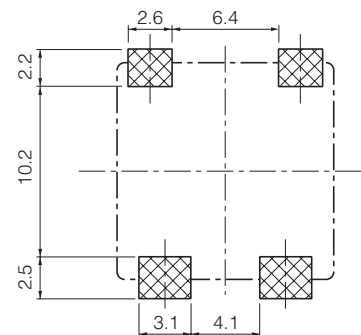
## Dimensions in mm (not to scale)



## Connection



## Recommended Land Pattern in mm (not to scale)



## ⚠ Safety Precautions

Refer 92 page.

Design and specifications are each subject to change without notice. Ask factory for the current technical specifications before purchase and/or use. Should a safety concern arise regarding this product, please be sure to contact us immediately.